

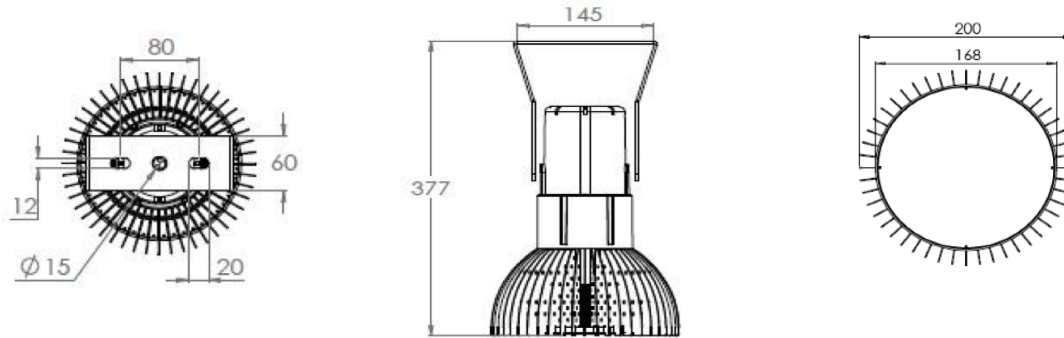


Anteya Power Corp.
Product Specs

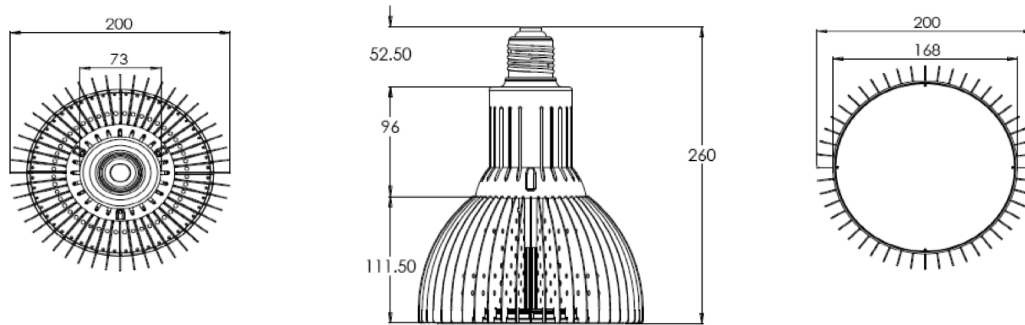
ITEM	ANP-HB
HIGH BAY - Pure Aluminum 100% Heat Sink	
Wattages	60w
Type	Bracket/Ring/E40
Power Specs	
Voltage	100-265 Vac
Current	0.6A
Power	60W
Power Factor	0.95
Life Span	50.000hrs
Weight	2.0kg
Beam Angle	120/90/60/30
Install hieght	1-5mtrs
IP Protection	IP65 and InDoor
Environment Specs	
Operation Temp.	-20-60+
Storage Temp.	-20-60+
Operation Humidity	10%-90%
Illumination	
Nichia LED chips	option
Philips LED chips	option
Driver	MeanWell or Philips

Mechanical Specs

ANP-HB 60w - Bracket Type



ANP-HB 60w - E40 Type



ANP-HB 60w - Ring Type

