

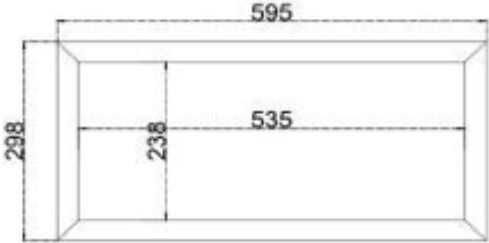

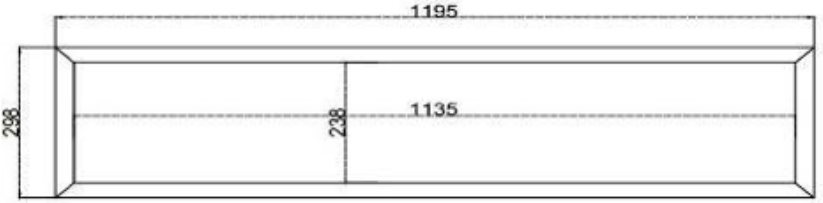

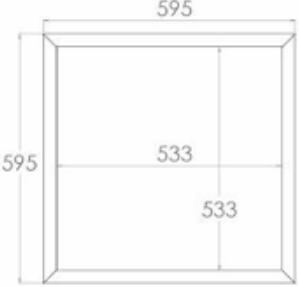

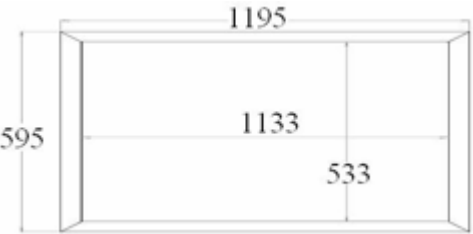


Anteya Power Corp.

Product Specs

ITEM	ANP-SCP			
High Power LED Ceiling Panel Series				
Module No.	ANP-SCP1×2-20W	ANP-SCP1×4-40W	ANP-SCP2×2-40W	ANP-SCP2×4-80W
Power Specs				
Voltage	100~240Vac	100~240Vac	100~240Vac	100~240Vac
Current	< 200 mA	< 400 mA	< 400 mA	< 800 mA
Power	20W±10%	40W±10%	40W±10%	80W±10%
Power Factor	> 0.9	> 0.9	> 0.9	> 0.9
Life Span	> 50,000 hrs	> 50,000 hrs	> 50,000 hrs	> 50,000 hrs
Weight	1.2kg	2.4kg	2.4kg	5.0kg
Size	L595xW298xH11mm	L1195xW298xH11mm	L595xW595xH11mm	L1195xW595xH11mm
LED chips	EPISTAR-TW-LM80	EPISTAR-TW-LM80	EPISTAR-TW-LM80	EPISTAR-TW-LM80
Field Angle	140°	140°	130°	130°
AC Input connector	S2	S2	S2	S2
Environment Specs				
Operation Temp.	-20~50 °C	-20~50 °C	-20~50 °C	-20~50 °C
Storage Temp.	-40~60 °C	-40~60 °C	-40~60 °C	-40~60 °C
Operation Humidity	10~90 %	10~90 %	10~90 %	10~90 %
CRI	> 85%	> 85%	> 85%	> 85%
Illumination				
Color Temp. (2600~3300K)	1600 lm±10%	3600 lm±10%	3600 lm±10%	7000 lm±10%
Color Temp. (4700~6000K)	2200 lm±10%	4000 lm±10%	4000 lm±10%	7600 lm±10%
Driver	MeanWell or Philips or Anteya*	MeanWell or Philips or Anteya	MeanWell or Philips or Anteya	MeanWell or Philips or Anteya
*ANTEYA DRIVER-MADE IN TAIWAN, FREE FLICKING				

Mechanical Specs (Unit: mm)		
Module No.	Dimension Diagrams	Thickness

<p>ANP-SCP1×2-20W</p>		<p>11</p> 
<p>ANP-SCP1×4-40W</p>		<p>11</p> 
<p>ANP-SCP2×2-40W</p>		<p>11</p> 
<p>ANP-SCP2×4-80W</p>		<p>11</p> 