

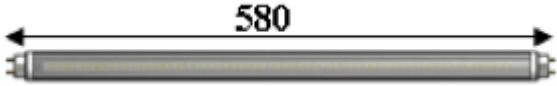







# Anteya Power Corp.

## Product Specs

ITEM	ANP-ST8			
<b>High Power LED Tubes Series</b>				
Module No.	ANP-ST8-60cm-9w-NN	ANP-ST8-120cm-18w-NN	ANP-ST8-60cm-10w-AN	ANP-ST8-120cm-20w-AN
<b>Power Specs</b>				
Voltage	100~240Vac	100~240Vac	100~240Vac	100~240Vac
Current	< 100 mA	< 200 mA	< 100 mA	< 200 mA
Power	9W	18W	10W	20W
Power Factor	> 0.9	> 0.9	> 0.9	> 0.9
Life Span	> 50,000 hrs	> 50,000 hrs	> 50,000 hrs	> 50,000 hrs
Weight	230 g	485 g	145 g	276 g
Size	60cm T8 Standard	120cm T8 Standard	60cm T8 Standard	120cm T8 Standard
LED chips	EPISTAR	EPISTAR	EPISTAR	EPISTAR
Beam Angle	330°	330°	270°	270°
Lm / w	<b>120lm/w</b>	<b>120lm/w</b>	<b>100lm/w</b>	<b>100lm/w</b>
<b>Environment Specs</b>				
Operation Temp.	-20~50 °C	-20~50 °C	-20~50 °C	-20~50 °C
Storage Temp.	-40~60 °C	-40~60 °C	-40~60 °C	-40~60 °C
Operation Humidity	10~90 %	10~90 %	10~90 %	10~90 %
CRI	> 85%	> 85%	> 85%	> 85%
<b>Illumination</b>				
Color Temp. (2600~3300K)	1000 lm ±10%	2200 lm ±10%	900 lm ±10%	1900 lm ±10%
Color Temp. (4700~6000K)	1200 lm ±10%	2400 lm ±10%	1000 lm ±10%	2000 lm ±10%
<b>Driver</b>	Anteya-Isolated	Anteya-Isolated	Anteya-Isolated	Anteya-Isolated

<b>Mechanical Specs (Unit: mm)</b>	
Module No.	Dimension Diagrams

<p>ANP-ST8-60cm-9w-NN</p>		
<p>ANP-ST8-120cm-18w-NN</p>		
<p>ANP-ST8-60cm-10w-AN</p>		
<p>ANP-ST8-120cm-20w-AN</p>	