

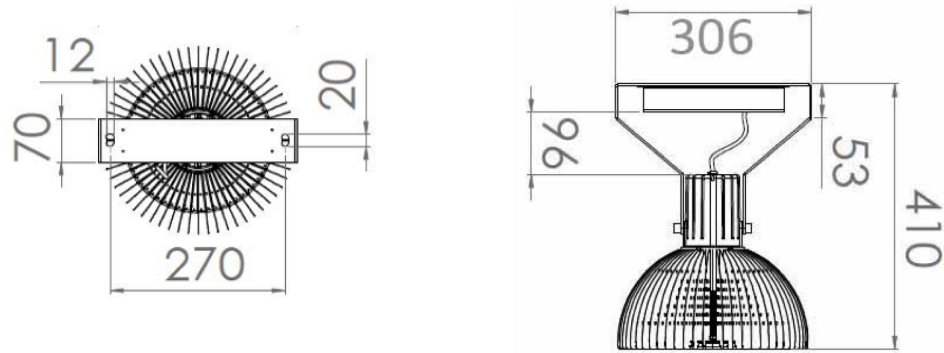


Anteya Power Product Specs

ITEM	ANP-HB			
HIGH BAY - Pure Aluminum 100% Heat Sink				
Wattages	200w	220w	240w	260w
Type	Bracket/Ring	Bracket/Ring	Bracket/Ring	Bracket/Ring
Power Specs				
Voltage	100-265 Vac	100-265Vac	100-265 Vac	100-265 Vac
Current	2A	2.2A	2.4A	2.6A
Power	200w	220W	240W	260W
Power Factor	0.95	0.95	0.95	0.95
Life Span	50,000hrs	50,000hrs	50,000hrs	50,000hrs
Weight	4.5 kg	4.5kg	4.5kg	4.5kg
Beam Angle	120/90/60/30	120/90/60/30	120/90/60/30	120/90/60/30
Install hieght	5-14mtrs	5-17mtrs	5-19mtrs	5-21mtrs
IP Protection	IP65	IP65	IP65	IP65
Environment Specs				
Operation Temp.	-20-60+	-20-60+	-20-60+	-20-60+
Storage Temp.	-20-60+	-20-60+	-20-60+	-20-60+
Operation Humidity	10%-90%	10%-90%	10%-90%	10%-90%
Illumination				
24000lm	24000lm	26000lm	28000lm	31200lm
Nichia LED chips	option	option	option	option
Philips LED chips	option	option	option	option
Driver	MeanWell or Philips	MeanWell or Philips	MeanWell or Philips	MeanWell or Philips

Mechanical Specs

ANP-HB 200/220/240/260w - Bracket Type



ANP-HB 200/220/240/260w - Ring Type

